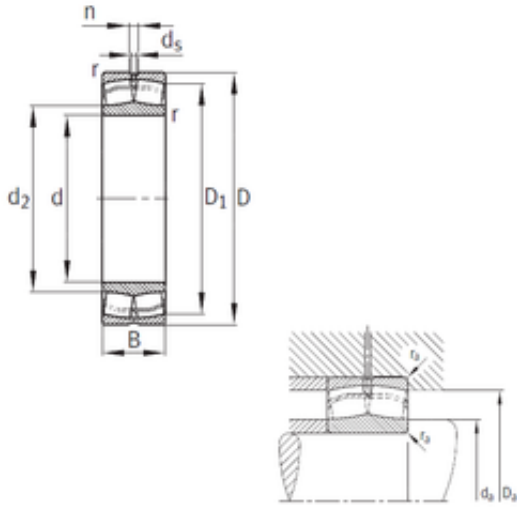




Machinery Parts BEARING CORP. OF CANAD...



200 mm x 420 mm x 138 mm FAG 22340-MB Spherical Roller Bearings

Bearing No. 22340-MB

22340-MB Bearing 2D drawings and 3D CAD models

Size	200x420x138 mm
Bore Diameter	200 mm
Outer Diameter	420 mm
Width	138 mm
d	200 mm
D	420 mm
B	138 mm
C	138 mm
n	23,5 mm
d2	– mm
r min.	5 mm
D1	357,4 mm
da min.	220 mm
Da max.	400 mm
ra max.	4 mm
d5	12,5 r/min
Weight	91 Kg
Basic dynamic load rating (C)	2080 kN
Basic static load rating (C0)	2800 kN
Fatigue load limit (Pu)	189
Reference speed	1 120 r/min
Limiting speed	1 400 r/min
Calculation factor (e)	0,36
Calculation factor (Y0)	1,83
Calculation factor (Y1)	1,87



Machinery Parts BEARING CORP.OF CANAD...